

# BP-MF690 (15) Datasheet

## MEDIUM-FLOW BACK PRESSURE REGULATOR



Gas  
  Liquid  
  Diaphragm  
  Piston  
 Max Rating: 690 bar (10,000 psi)  
 Control Range: 300 bar (4,350 psi)  
 Cv 1.5



### INTRODUCING THE BP-MF690 (15)...

The BP-MF690 (15) is a piston-sensed medium-flow back pressure regulator for gas or liquid applications. The gas version includes a PEEK™ seat, whilst the liquid version features ceramic seating for excellent protection from cavitation and positive shut-off on medium-flow applications.

The BP-MF690 (15) accurately controls inlet pressures of up to 300 bar (4,350 psi) and vents excess pressure back via the threaded NPT outlet port.

### SPECIFICATION

Max. Rating	690 bar (10,000 psi)
Control Range	Up to 300 bar (4,350 psi)
Design Proof Pressure	150% max. working pressure
Seat Leakage	In accordance with ANSI/FCI 70-3
Weight	5kg (11lbs)

### STANDARD MATERIALS OF CONSTRUCTION

PART	MATERIALS
Body and Bonnet	ASTM A479 316/316L Stainless Steel (UNS S31600/S31603)
Main Valve Pin	Inconel® 718 (UNS N07718)
Seat	PEEK™ (450G)
	Ceramic (Zirconia)
Valve Spring	ASTM A240 301 Stainless Steel (UNS S30100)
Piston	ASTM A479 316/316L Stainless Steel (UNS S31600/S31603)
Handwheel	Nylon
O-Rings	NBR N70 (Nitrile Buna N)
	FKM/FPM (Viton)
Loading Spring	ASTM A240 301 Stainless Steel (UNS S30100)

*Note:* Pressure regulator rating may be limited by connection type, Cv and/or seat material. Contact the office for specific pressure or temperature requirements.

### FEATURES AND BENEFITS

#### 1 PISTON SENSING ELEMENT

Perfect for use in challenging conditions.

#### 2 CERAMIC SEATING DESIGN

Provides the ultimate protection against cavitation on hydraulic services.

#### 3 OPTIONAL AIR ACTUATOR

For fine remote adjustment.

#### 4 OPTIONAL FLANGED CONNECTION

For compatibility with flanged systems.

Product availability and specifications contained herein are subject to change without notice. Consult local distributor or factory for potential revisions and/or service related issues. Pressure Tech Ltd support with product selection recommendations only - it is the users responsibility to ensure the product is suitable for their specific application requirements.



#### PRESSURE TECH LTD

Unit 24, Graphite Way, Hadfield, Glossop, Derbyshire, UK, SK13 1QH

+44 (0)1457 899 307 | [sales@pressure-tech.com](mailto:sales@pressure-tech.com) | [www.pressure-tech.com](http://www.pressure-tech.com)

DESIGNED, MANUFACTURED AND BUILT IN THE UK

© 2025 Pressure Tech Ltd. All Rights Reserved.

200325

PAGE:  
1 OF 4

# BP-MF690 (15) Datasheet

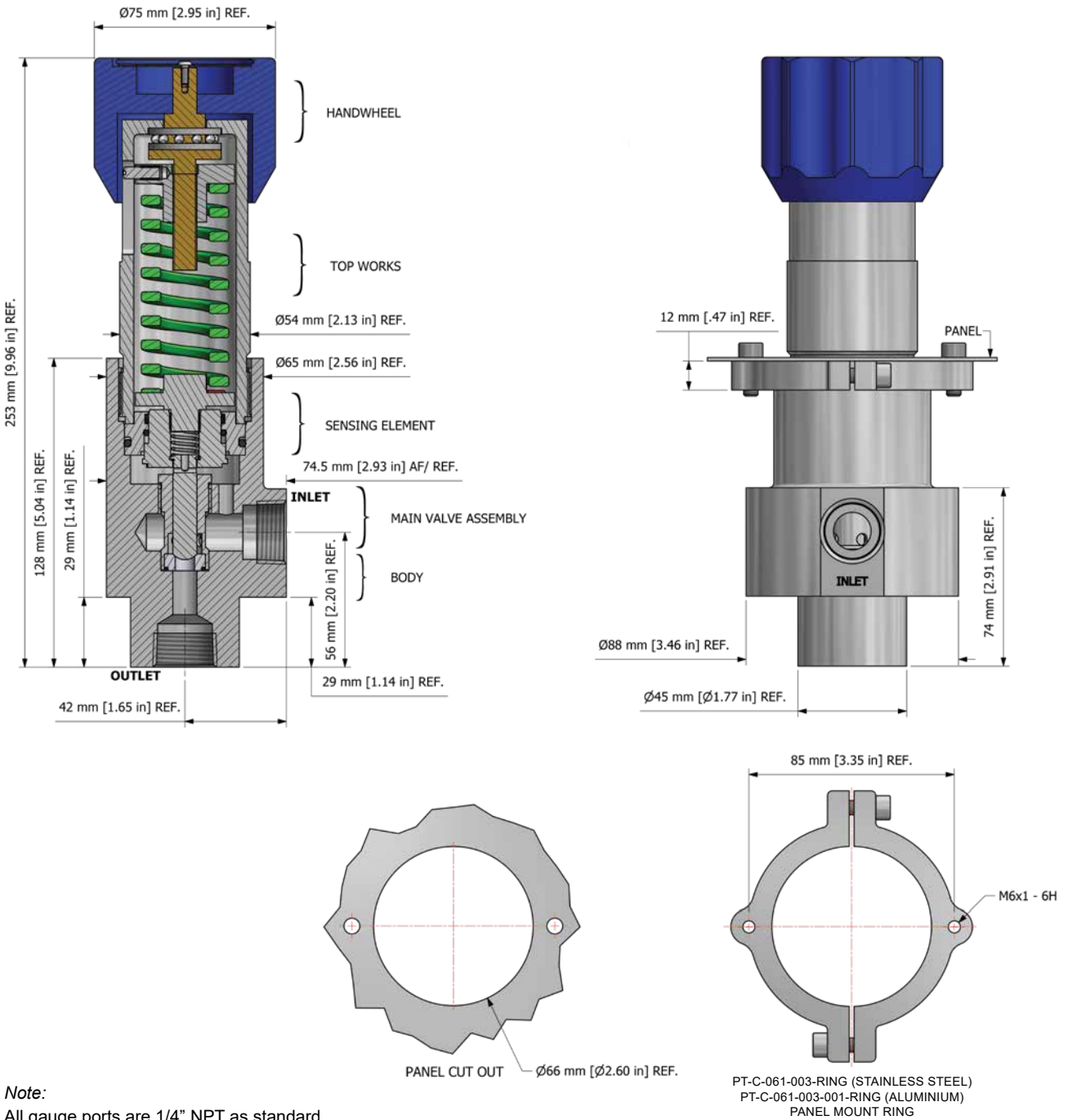
MEDIUM-FLOW BACK PRESSURE REGULATOR



● Gas ● Liquid | 
 ● Diaphragm ● Piston | 
 Max Rating: 690 bar (10,000 psi) | 
 Control Range: 300 bar (4,350 psi) | 
 Cv 1.5

## DRAWINGS AND INSTALLATION DIMENSIONS

Dimensions shown for 3/4" NPT option and standard configurations only - please contact the office for other options.



**Note:**  
All gauge ports are 1/4" NPT as standard.

Product availability and specifications contained herein are subject to change without notice. Consult local distributor or factory for potential revisions and/or service related issues. Pressure Tech Ltd support with product selection recommendations only - it is the users responsibility to ensure the product is suitable for their specific application requirements.



**PRESSURE TECH LTD**  
 Unit 24, Graphite Way, Hadfield, Glossop, Derbyshire, UK, SK13 1QH  
 +44 (0)1457 899 307 | [sales@pressure-tech.com](mailto:sales@pressure-tech.com) | [www.pressure-tech.com](http://www.pressure-tech.com)  
**DESIGNED, MANUFACTURED AND BUILT IN THE UK**  
 © 2025 Pressure Tech Ltd. All Rights Reserved.

# BP-MF690 (15) Datasheet

MEDIUM-FLOW BACK PRESSURE REGULATOR

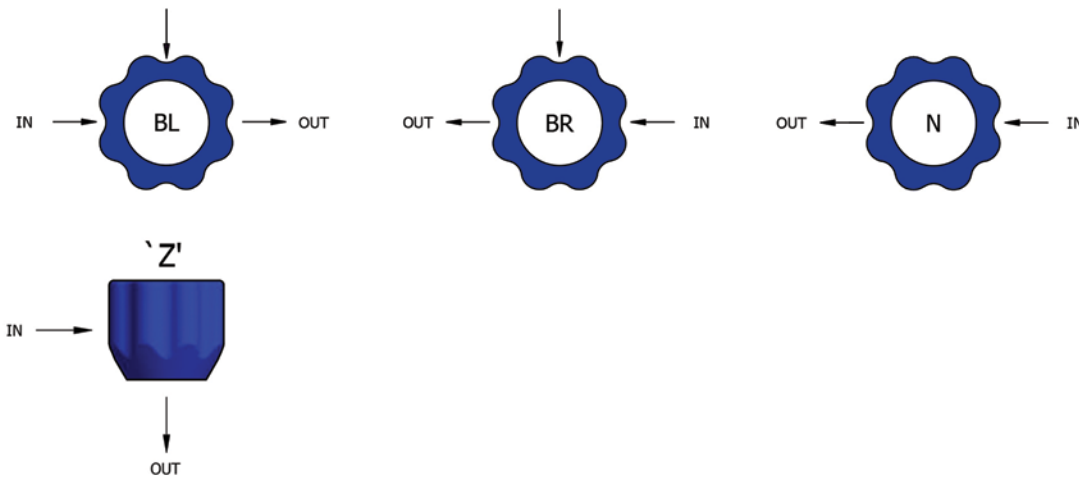


Gas  Liquid |  Diaphragm  Piston | Max Rating: 690 bar (10,000 psi) | Control Range: 300 bar (4,350 psi) | Cv 1.5

## FLOW CURVE

Please contact the office for further information.

## PORTING CONFIGURATIONS



**Note:**

Additional porting configurations are available - please contact the office for further information.

Product availability and specifications contained herein are subject to change without notice. Consult local distributor or factory for potential revisions and/or service related issues. Pressure Tech Ltd support with product selection recommendations only - it is the users responsibility to ensure the product is suitable for their specific application requirements.



### PRESSURE TECH LTD

Unit 24, Graphite Way, Hadfield, Glossop, Derbyshire, UK, SK13 1QH  
+44 (0)1457 899 307 | [sales@pressure-tech.com](mailto:sales@pressure-tech.com) | [www.pressure-tech.com](http://www.pressure-tech.com)

DESIGNED, MANUFACTURED AND BUILT IN THE UK

© 2025 Pressure Tech Ltd. All Rights Reserved.

# BP-MF690 (15) Datasheet

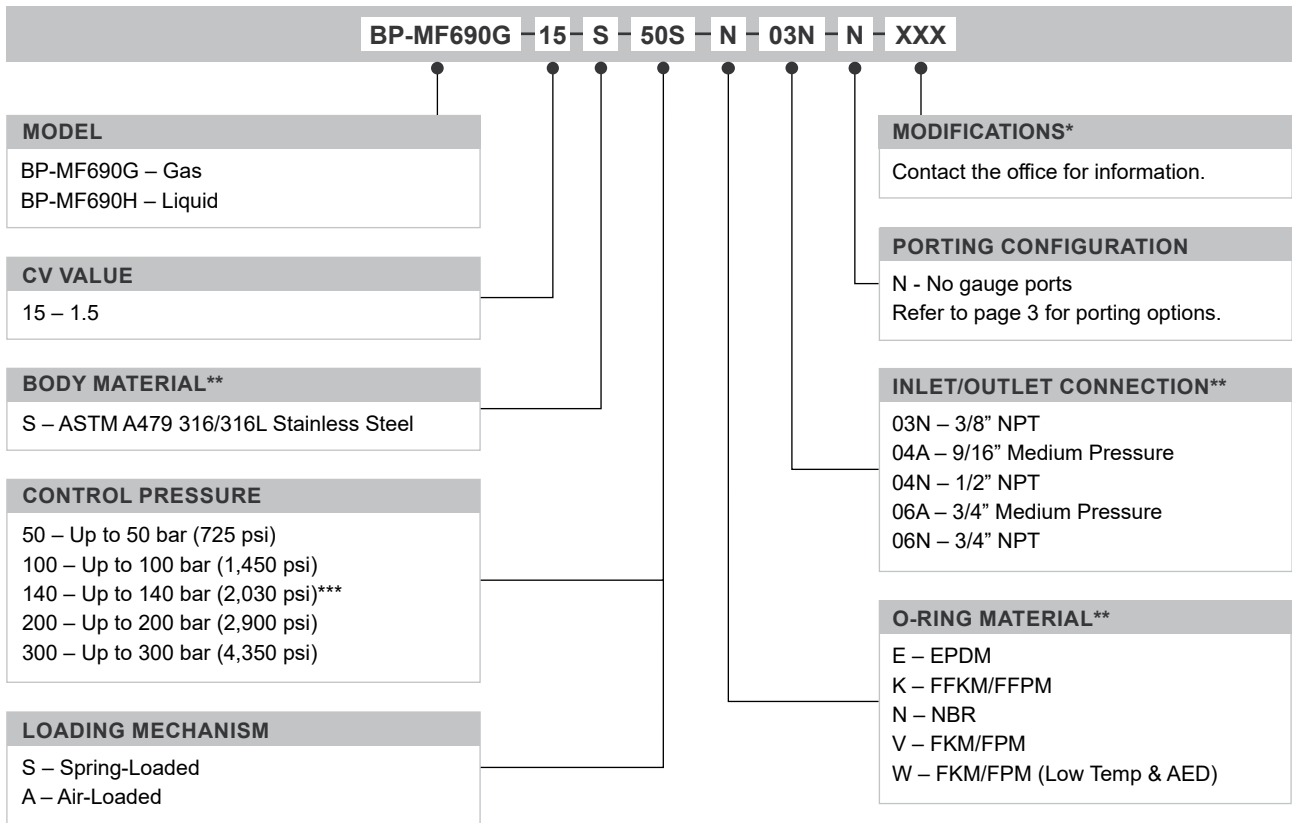
MEDIUM-FLOW BACK PRESSURE REGULATOR



Gas    Liquid   |    Diaphragm    Piston   |   Max Rating: 690 bar (10,000 psi)   |   Control Range: 300 bar (4,350 psi)   |   Cv 1.5

## ORDERING INFORMATION

To build a Pressure Tech part number, simply combine the characters identified below in sequence:



OPTIONAL EXTRAS		
	PART NUMBER	DESCRIPTION
Service Kit	SRK-BP-MF690-15...	Various options available
Panel Mounting Ring	PT-C-061-003-RING	Stainless Steel panel mount ring
Panel Mounting Ring	PT-C-061-003-001-RING	Aluminium panel mount ring

*Note:* Ancillary equipment also available

**TRADEMARK:** PEEK™ is a trademark of Victrex PLC

\* Where applicable  
 \*\* Other materials/connections may be available  
 \*\*\* Air-loaded only

Product availability and specifications contained herein are subject to change without notice. Consult local distributor or factory for potential revisions and/or service related issues. Pressure Tech Ltd support with product selection recommendations only - it is the users responsibility to ensure the product is suitable for their specific application requirements.



**PRESSURE TECH LTD**  
 Unit 24, Graphite Way, Hadfield, Glossop, Derbyshire, UK, SK13 1QH  
 +44 (0)1457 899 307 | [sales@pressure-tech.com](mailto:sales@pressure-tech.com) | [www.pressure-tech.com](http://www.pressure-tech.com)  
**DESIGNED, MANUFACTURED AND BUILT IN THE UK**  
 © 2025 Pressure Tech Ltd. All Rights Reserved.